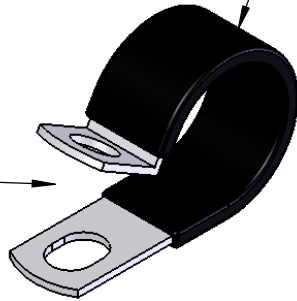
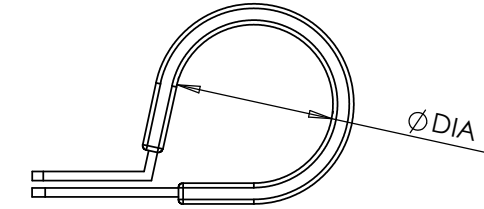
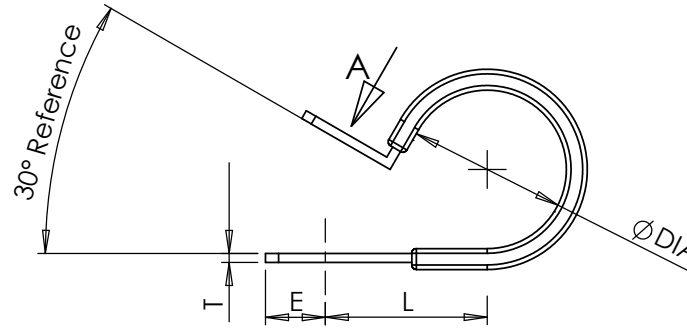
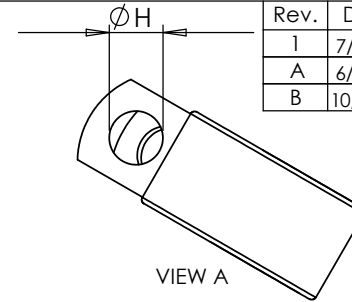
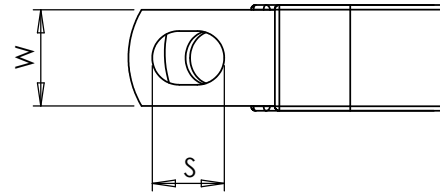


Black Vinyl Dipped
0.69-0.89mm Coating Thickness

One Round Hole
One Slotted Hole



Rev.	Date	Notes
1	7/15/08	Initial Release
A	6/30/09	Wide clamps added
B	10/30/09	VCC78 added



Closed Position (For Reference)

Part #	DIA	H	T	W	S	E	L
VCC14	1/4 in [6.35mm]	0.281 in [7.14mm]	0.032 in [0.81mm]	0.5 in [12.7mm]	0.375 in [9.53mm]	0.312 in [7.92mm]	0.531 in [13.49mm]
VCC38	3/8 in [9.53mm]	0.281 in [7.14mm]	0.032 in [0.81mm]	0.5 in [12.7mm]	0.375 in [9.53mm]	0.312 in [7.92mm]	0.593 in [15.06mm]
VCC12	1/2 in [12.7mm]	0.281 in [7.14mm]	0.048 in [1.22mm]	0.5 in [12.7mm]	0.375 in [9.53mm]	0.312 in [7.92mm]	0.656 in [16.66mm]
VCC58	5/8 in [15.88mm]	0.281 in [7.14mm]	0.048 in [1.22mm]	0.5 in [12.7mm]	0.375 in [9.53mm]	0.312 in [7.92mm]	0.718 in [18.24mm]
VCC34	3/4 in [19.05mm]	0.281 in [7.14mm]	0.048 in [1.22mm]	0.5 in [12.7mm]	0.375 in [9.53mm]	0.312 in [7.92mm]	0.781 in [19.84mm]
VCC78	7/8 in [22.25mm]	0.281 in [7.14 mm]	0.048 in [1.22mm]	0.5 in [12.7mm]	0.540 in [13.7 mm]	0.312 in [7.92mm]	0.844 in [21.4 mm]
VCC1	1 in [25.4mm]	0.281 in [7.14mm]	0.048 in [1.22mm]	0.5 in [12.7mm]	0.375 in [9.53mm]	0.312 in [7.92mm]	0.906 in [23.01mm]
VCC114	1 1/4 in [31.75mm]	0.281 in [7.14mm]	0.048 in [1.22mm]	0.5 in [12.7mm]	0.375 in [9.53mm]	0.312 in [7.92mm]	1.031 in [26.19mm]
VCC112	1 1/2 in [38.1mm]	0.281 in [7.14mm]	0.048 in [1.22mm]	0.5 in [12.7mm]	0.375 in [9.53mm]	0.312 in [7.92mm]	1.281 in [32.54mm]
VCC112W	1 1/2 in [38.1mm]	0.406 in [10.31mm]	0.048 in [1.22mm]	0.75 in [19.05mm]	0.500 in [12.7mm]	0.437 in [11.10mm]	1.281 in [32.54mm]
VCC2	2 in [50.8mm]	0.281 in [7.14mm]	0.048 in [1.22mm]	0.5 in [12.7mm]	0.375 in [9.53mm]	0.312 in [7.92mm]	1.562 in [39.67mm]
VCC2W	2 in [50.8mm]	0.406 in [10.31mm]	0.048 in [1.22mm]	0.75 in [19.05mm]	0.500 in [12.7mm]	0.437 in [11.10mm]	1.562 in [39.67mm]
VCC212W	2 1/2 in [63.5mm]	0.406 in [10.31mm]	0.048 in [1.22mm]	0.75 in [19.05mm]	0.500 in [12.7mm]	0.437 in [11.10mm]	1.812 in [46.03mm]
VCC3W	3 in [76.2mm]	0.406 in [10.31mm]	0.048 in [1.22mm]	0.75 in [19.05mm]	0.500 in [12.7mm]	0.437 in [11.10mm]	2.062 in [52.38mm]



PROPRIETARY AND CONFIDENTIAL
THE INFORMATION CONTAINED IN THIS DRAWING IS THE SOLE PROPERTY OF **CODA RESOURCES**. ANY REPRODUCTION IN PART OR AS A WHOLE WITHOUT THE WRITTEN PERMISSION OF **CODA RESOURCES** IS PROHIBITED.

Notes:

1. HD Galvanized Steel, Chem-Treated G90
Per ASTM A653/A653M
2. Must be RoHS Compliant (Hexavalent Chromium Free)

NAME	DATE	CAMBRIDGE 960 Alabama Ave, Brooklyn, NY 11207 P:718-649-1666 F:718-485-4403	
DRAWN	J Li		
UNLESS OTHERWISE SPECIFIED:		TITLE: Vinyl Coated Clamps	
DIMENSIONS ARE IN INCHES [] DENOTES MILLIMETER TOLERANCES: x.xx ± .005in [0.13mm]		SIZE	
MATERIAL Galvanized Steel		DWG. NO. VCC Clamps Rev B	
FINISH		REV B	
DO NOT SCALE DRAWING		SCALE: 1:1	
		SHEET 1 OF 1	