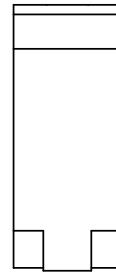
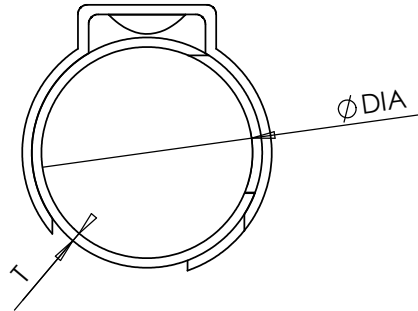
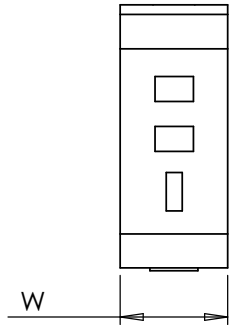
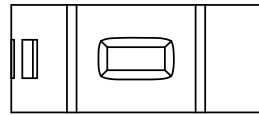


Rev.	Date	Notes
1	5-07-08	Initial Release
A	3-30-09	DIA DIMENSIONS UPDATED TO STANDARD



PART NO	CLOSED DIA [IN]	OPEN DIA [IN]	W	T
PEC716	9.6 [0.378]	11.3 [0.44]	5.00	0.50
PEC12	10.8 [0.425]	13.3 [0.50]	7.00	0.60
PEC916	12.0 [0.472]	14.5 [0.56]	7.00	0.60
PEC58	13.2 [0.520]	15.7 [0.63]	7.00	0.60
PEC2332	15.3 [0.602]	18.5 [0.72]	7.00	0.60
PEC78	19.4 [0.764]	22.6 [0.88]	7.00	0.60
PEC100	22.4 [0.882]	25.6 [1.00]	7.00	0.60
PEC118	25.4 [1.000]	28.6 [1.13]	7.00	0.60
PEC114	28.4 [1.118]	31.6 [1.25]	7.00	0.60
PEC112	31.4 [1.236]	34.6 [1.50]	7.00	0.60



PROPRIETARY AND CONFIDENTIAL
 THE INFORMATION CONTAINED IN THIS DRAWING IS THE SOLE PROPERTY OF **CODA RESOURCES**. ANY REPRODUCTION IN PART OR AS A WHOLE WITHOUT THE WRITTEN PERMISSION OF **CODA RESOURCES** IS PROHIBITED.

NAME	DATE	<h1>CODA RESOURCES</h1> <p>960 Alabama Ave, Brooklyn, NY 11207 P:718-649-1666 F:718-485-4403</p>		
DRAWN	J Li 5/7/08			
UNLESS OTHERWISE SPECIFIED:		TITLE:		
DIMENSIONS ARE MILLIMETERS [] DENOTES INCHES TOLERANCES: x.x ± 0.25mm [0.01in] x.xx ± 0.13mm [0.005]		PINCH CLAMPS - ALL SIZES		
MATERIAL		SIZE	DWG. NO.	REV
304 STAINLESS STEEL		A	PEC REV A	A
FINISH		DO NOT SCALE DRAWING		
		SCALE: NA	WEIGHT: NA	SHEET 1 OF 1