



CAMBRIDGE SECURITY SEALS



Adjustable Seal

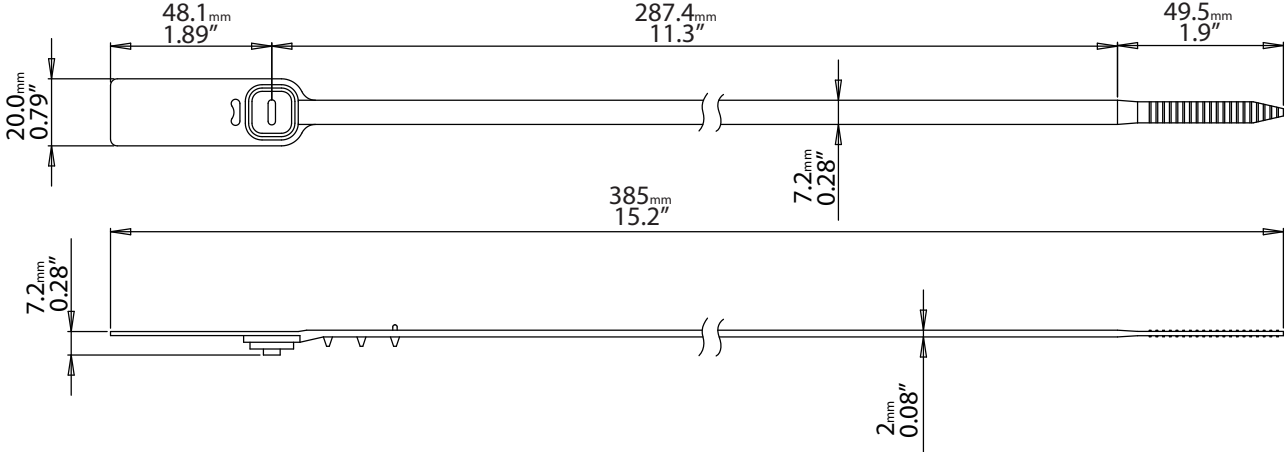
CAMBRIDGE RESOURCES
960 ALABAMA AVE
BROOKLYN, NY 11207
(877) 922 2538
INFO@CAMBRIDGESECURITYSEALS.COM

WWW.CAMBRIDGESECURITYSEALS.COM

HSSCAM

HSSCAM

HSSCAM is adjustable and has a high tensile strength, offering the highest level of security available in a plastic indicative seal.



Features:

- * Calibrated with numbers to show evidence of tampering
- * Gripping teeth provide a secure fit when applied to bags

Applications:

- * Plastic totes
- * Cash and coin bags
- * Cash-in-transit (CIT)
- * Container doors

Materials:

- * Locking Chamber: Stainless Steel Spring
- * Seal: Polypropylene

Length:

- * Total Length: 15"
- * Usable Length: 13"

Colors:

- * Hot Stamped: Red, Blue, Yellow, Green, White, Orange, Purple, Apricot, Black, Brown
- * Other colors available upon request
- * Black printed on white foil

Customization:

- * Customer name and logo printing (laser or foil)
- * Variable numbering up to 10 characters
- * Bar coding (laser)
- * Printed name (die)
- * Gripping teeth for use with cash/coin bags

Tensile Strength:

Approx. 120 lbs.

Packing:

10 seals per Strip
1000 seals per Carton

Box Dimensions:

17" X 11" X 10.5"

Gross Weight:

15 lbs.

SHOP ONLINE 
www.cambridgesecurityseals.com

 **CAMBRIDGE
RESOURCES**
960 Alabama Ave, Brooklyn, NY 11207
Ph: (718)927-0009 Fax: (718)485-4403
info@cambridgeresources.com
www.cambridgeresources.com