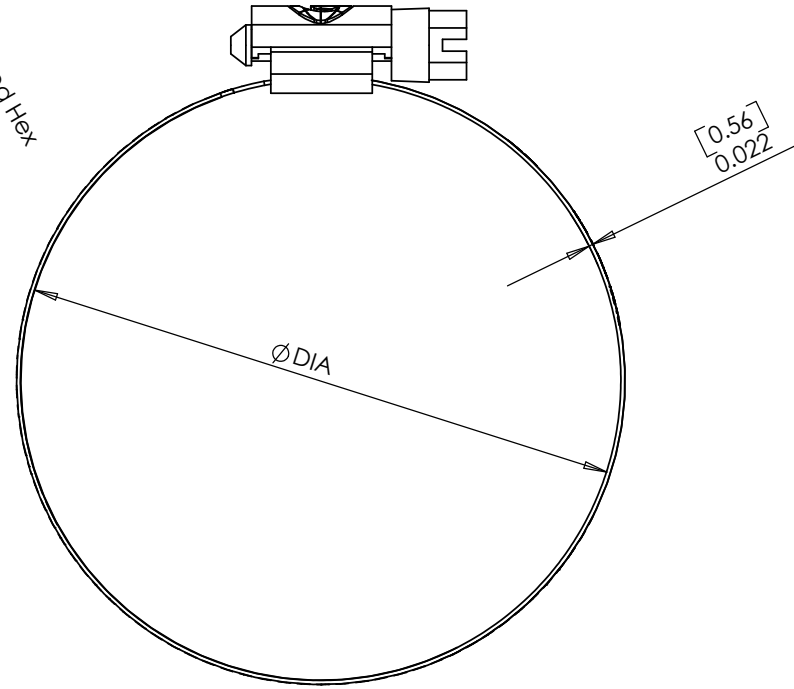
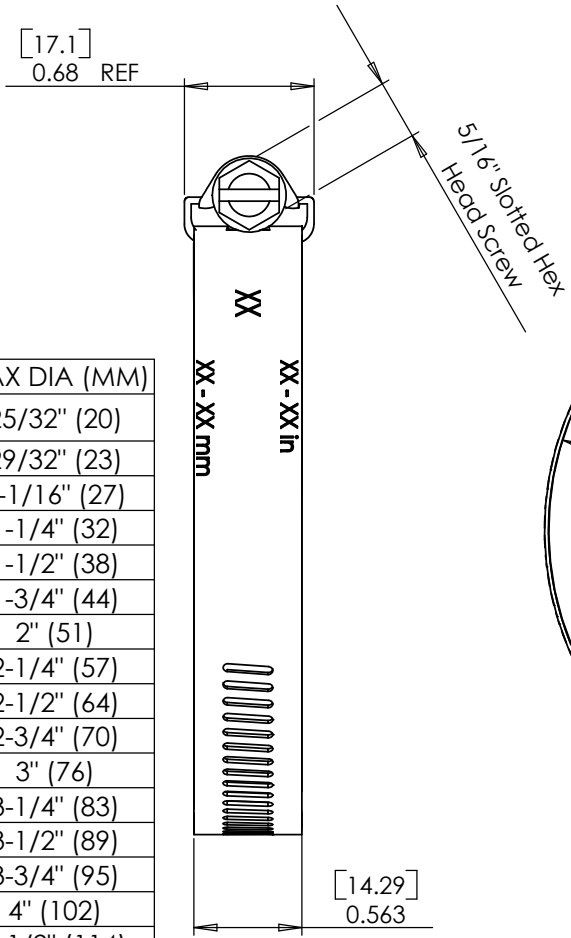
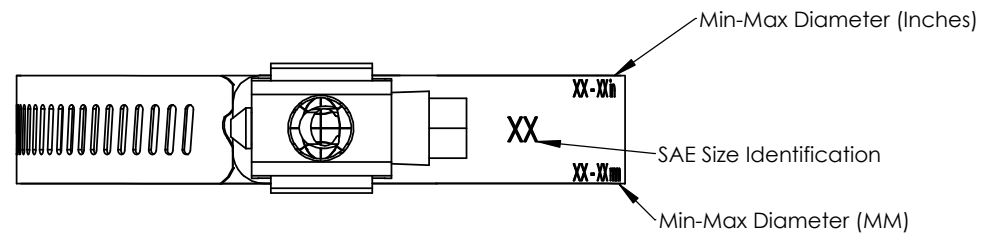


Rev.	Date	Notes
A	10/01/09	Initial Release



PART #	MIN DIA (MM)	MAX DIA (MM)
HC3-6P	7/16" (11)	25/32" (20)
HC3-8P	1/2" (13)	29/32" (23)
HC3-10P	9/16" (14)	1-1/16" (27)
HC3-12P	11/16" (17)	1-1/4" (32)
HC3-16P	13/16" (21)	1-1/2" (38)
HC3-20P	13/16" (21)	1-3/4" (44)
HC3-24P	1-1/16" (27)	2" (51)
HC3-28P	1-5/16" (33)	2-1/4" (57)
HC3-32P	1-9/16" (40)	2-1/2" (64)
HC3-36P	1-13/16" (46)	2-3/4" (70)
HC3-40P	2-1/16" (52)	3" (76)
HC3-44P	2-5/16" (59)	3-1/4" (83)
HC3-48P	2-9/16" (65)	3-1/2" (89)
HC3-52P	2-13/16" (71)	3-3/4" (95)
HC3-56P	3-1/16" (78)	4" (102)
HC3-64P	3-9/16" (90)	4-1/2" (114)
HC3-72P	4-1/8" (105)	5" (127)
HC3-80P	4-5/8" (117)	5-1/2" (140)
HC3-88P	5-1/8" (133)	6" (152)
HC3-96P	5-5/8" (143)	6-1/2" (165)
HC3-104P	6-1/8" (159)	7" (178)



PROPRIETARY AND CONFIDENTIAL
THE INFORMATION CONTAINED IN THIS DRAWING IS THE SOLE PROPERTY OF **CODA RESOURCES**. ANY REPRODUCTION IN PART OR AS A WHOLE WITHOUT THE WRITTEN PERMISSION OF **CODA RESOURCES** IS PROHIBITED.

- Notes:
1. Meets SAE J1508 Specification
 2. RoHS Compliant - No Hexavalent Chromium - Cr(VI)
 3. Material: Band and Housing - 200 Series Stainless Steel
Screw - Zinc Plated
 4. Screw Free Torque 4 in-lbs max

NAME	DATE	CAMBRIDGE 960 Alabama Ave, Brooklyn, NY 11207 P:718-649-1666 F:718-485-4403		
DRAWN RH	10/01/09			TITLE: SERIES 3300, 9/16" BAND HOSE CLAMPS
UNLESS OTHERWISE SPECIFIED: DIMENSIONS ARE IN INCHES [] DENOTES MILLIMETER TOLERANCES x.xx ± 0.02 [0.51] x.xxx ± 0.005 [0.13]		SIZE A	DWG. NO. HC3-XP Series Rev A	REV A
MATERIAL SEE NOTES FINISH		DO NOT SCALE DRAWING		SCALE: 1:1
		WEIGHT:		SHEET 1 OF 1