



CAMBRIDGE SECURITY SEALS



Electronic Seal

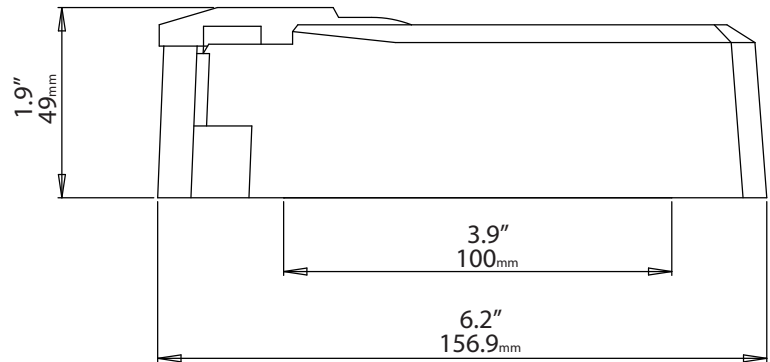
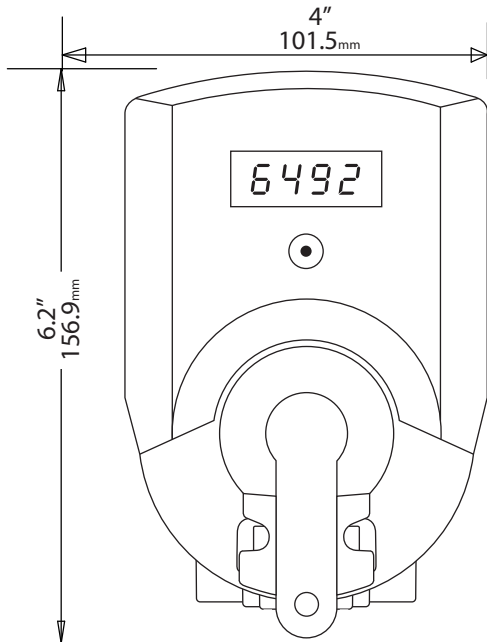
CAMBRIDGE RESOURCES
960 ALABAMA AVE
BROOKLYN, NY 11207
(877) 922 2538
INFO@CAMBRIDGESECURITYSEALS.COM

WWW.CAMBRIDGESECURITYSEALS.COM

C2K

C2K

The **C2K** is a reusable, electronic security seal that generates a unique seal number with every use.



Features:

- * Simplifies security procedures
- * Deters collusion
- * Generates a random 4 digit seal number
- * Illuminated LED display
- * Durable weather resistant design
- * Self-powered, 5 year lifespan
- * Includes protective flap

Benefits vs. one-time-use seals:

- * Eliminates cost of placing multiple orders
- * Eliminates cost of storing seals
- * Eliminates cost of distributing seals
- * Eliminates cost associated with disposal of waste (boxes, packaging, plastic, etc.)

Customization:

- Remote sensor version
- Radio frequency interface
- Customized software

Applications:

- Trailer doors
- Bulk tankers
- Railroad cars

Packing:

- 1 seal per box

Box Dimensions:

7.5" X 4.75" X 3"

Gross Weight:

2 lbs.



960 Alabama Ave, Brooklyn, NY 11207
Ph: (718)927-0009 Fax: (718)485-4403
info@cambridgeresources.com
www.cambridgeresources.com

SHOP ONLINE 
www.cambridgesecurityseals.com